

Mikro's Earth Fault Relay MK201A

13th March 2013

MK201A in Three Phase Three Wire System

1. Mikro's MK201A can be use at either three phase four wire or three phase three wire electrical distribution system.
2. The fault current can be detected via the use of a core balance CT.
3. The fault current can also be detected by physically summing 3 individual matching CT (for three phase three wire system) as shown in Figure 1.
4. Core balance CT is typically recommended as it is inherently balance as oppose to using 3 CTs where issues of mismatching might occur thus affecting the accuracy of the earth fault current detected.
5. To use the method of physically summing the CT by connection, please ensure that the CT class, CT ratio and accuracy are identical.

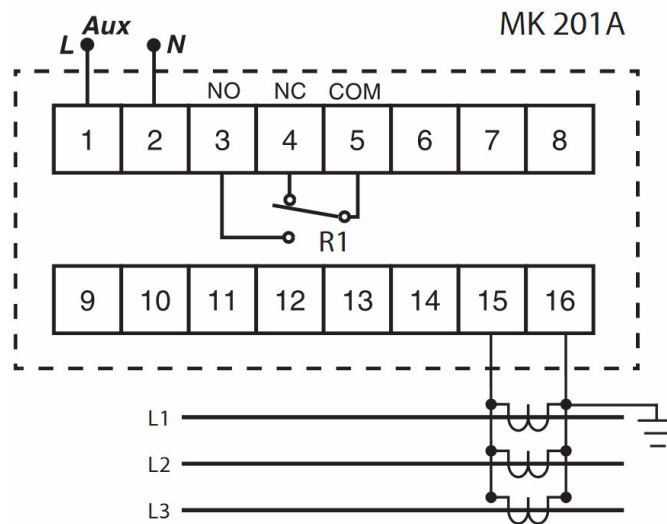


Figure 1: Three phase three wire connection for Earth Fault detection

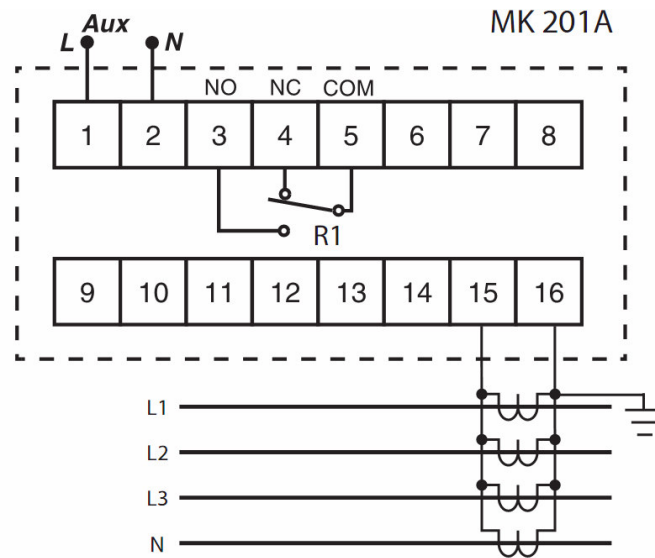


Figure 2: Three phase four wire connection for Earth Fault detection

Tay Siang Hui
 Technical Marketing Manager
 13th March 2013
