

## Mikro's Zero Sequence Current Transformer

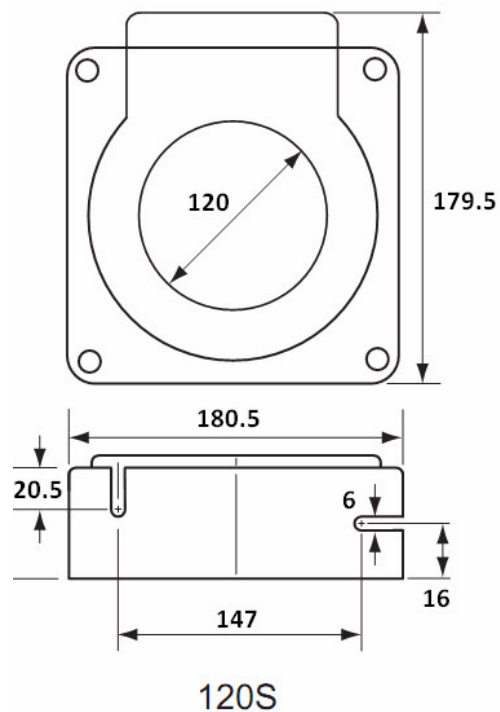
## ZCT 120S

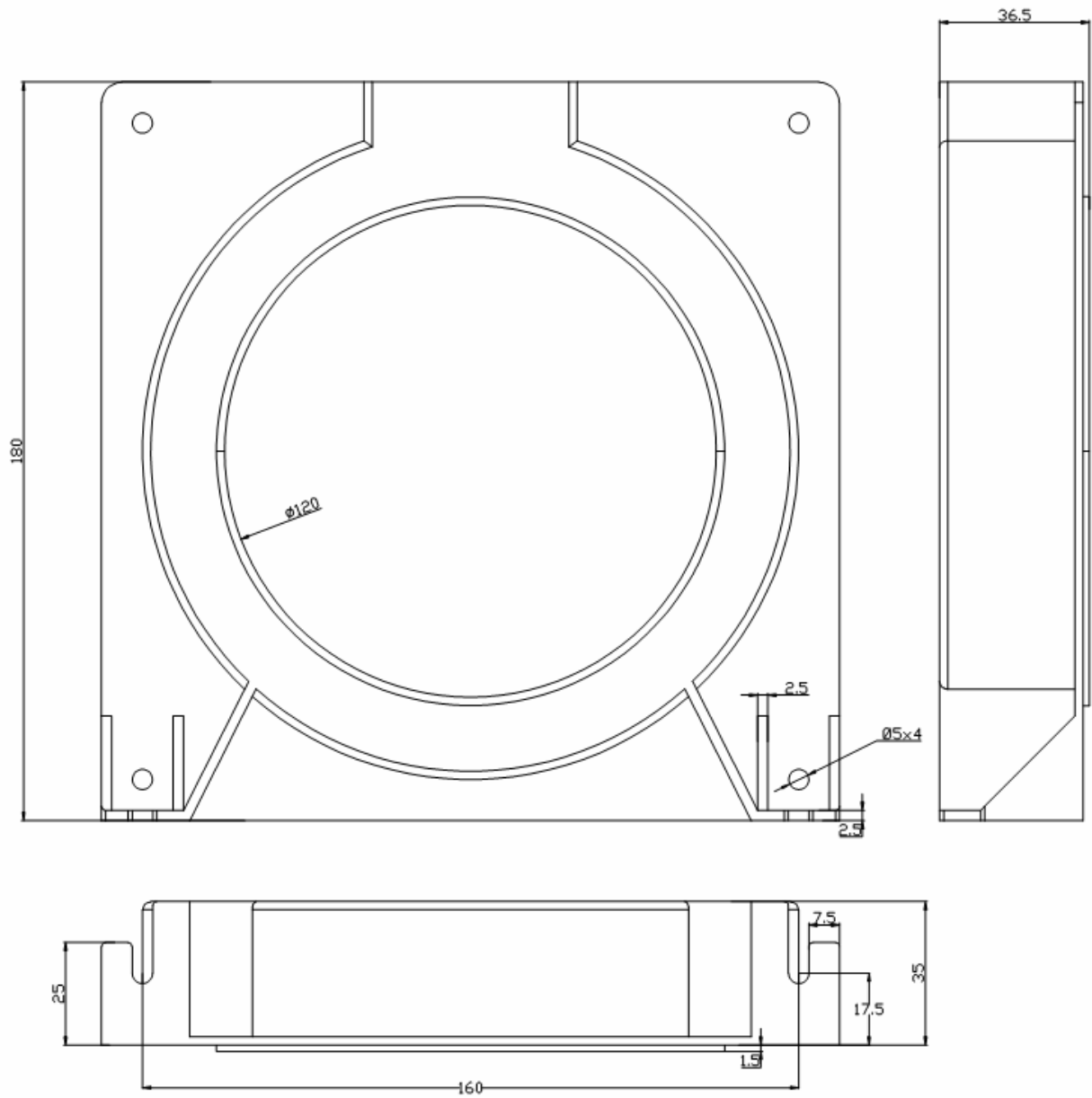
27<sup>th</sup> December 2012

---

**ZCT120S Changes in Frame Material and Dimensions**

1. In line with our quality policy of continuous improvements, Mikro's ZCT 120S will change its mounting material from metal to plastic. The changes will subsequently extend to our other ZCT ranges.
2. The reasons for the change are:
  - Rusting due to scratches on the metal bracket coating
  - Improve the consistency of the color between the casing and the bracket
  - Improvement of the insulation voltage
3. The change are as follows:
  - Metal bracket changed to ABS fire retardant 765B
  - Mounting hole and dimension change (see figure 1 and 2)

**Figure 1: Old ZCT 120S Dimensions**



**Figure 2: New ZCT 120S Dimensions**

Tay Siang Hui  
 Technical Marketing Manager  
 27<sup>th</sup> December 2012

---