



MPC100

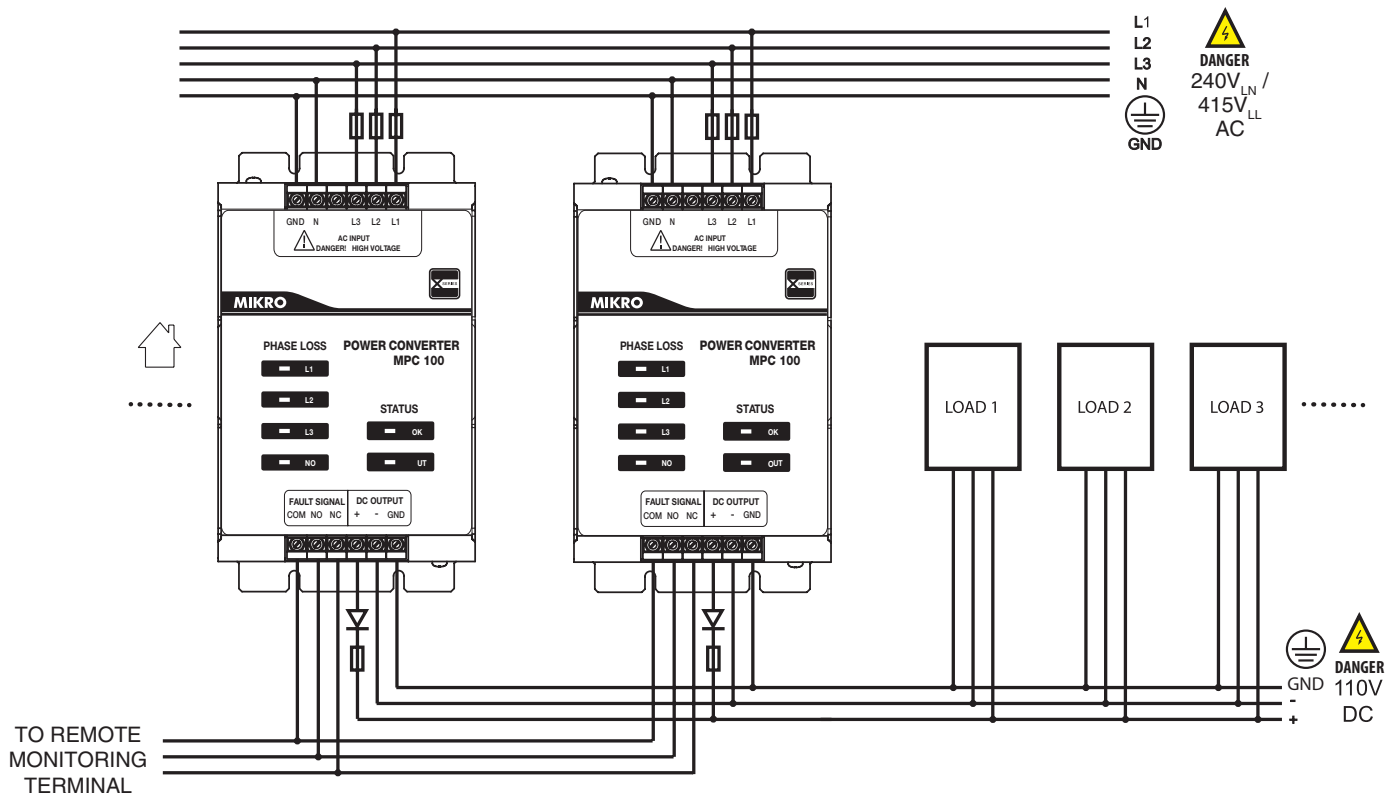
POWER CONVERTER



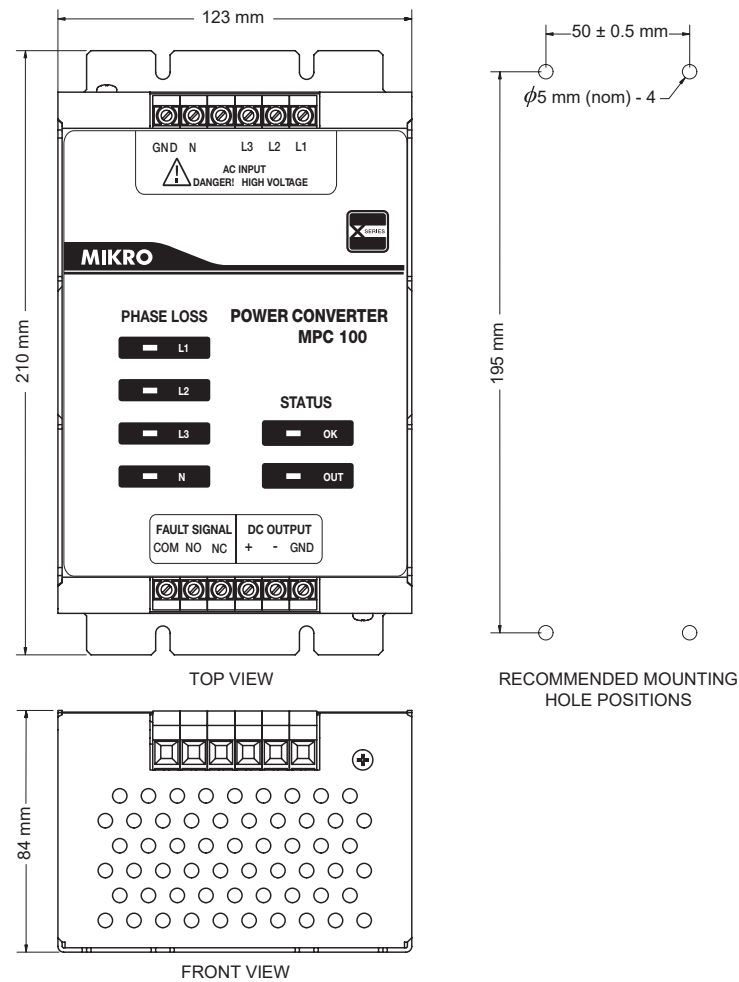
FEATURES

- Supplies industry standard service 110V DC output up to 100W
- Robust service continuity, immune against phase loss and neutral disconnection
- Tolerant to line overvoltage up to 480V AC rms
- Flexible input from DC to AC 65Hz
- Individual phase loss and neutral discontinuity indication to aid diagnostics
- Dry contact output for remote signalling
- Basic insulation between the 3-phase & neutral input and the DC output for safety
- Ideal substitute for backup batteries in service power system
- Suitable for powering protection relays, smart meters and circuit breaker strikers

TYPICAL APPLICATION DIAGRAM



CASE DIMENSION



TECHNICAL DATA

INPUT

Rated current	: 1A rms
No load current	: 100mA rms (max)
Rated phase voltage	: 230V rms (nom)
Phase voltage limits	: 170V rms to 276V rms
Maximum line voltage	: 480V rms for 10s
Rated frequency	: 50Hz / 60Hz

ENVIRONMENT

Overvoltage category	: III
Pollution degree	: 2
Operating temperature	: -5 °C to +55 °C
Storage temperature	: -20 °C to +70 °C
Humidity	: 95 % (max) , non-condensing

OUTPUT

Nominal voltage	: 110V DC
Voltage limits	: 100V DC to 115V DC
Nominal current	: 0.9A DC
Maximum current	: 1.3A DC for 10s
Rated power	: 100W

MECHANICAL

Dimension (mm)	: 123 (W) x 210 (H) x 84(L)
Enclosure protection	: IP20
Weight	: 1.5 kg (approx)

FAULT SIGNAL

Phase loss threshold	: 160V rms (max)
Output availability threshold	: 80V DC (max)
Fault signal contact voltage	: 30V DC / 250V AC
Fault signal contact current	: 1A DC / 3A AC

STANDARD COMPLIANCE

EMC	: IEC 61000-6
Safety	: IEC 61950-1
Environment	: IEC 60068-2

ORDERING INFORMATION

MODEL
MPC100

DESCRIPTION
3 Phase Power Converter