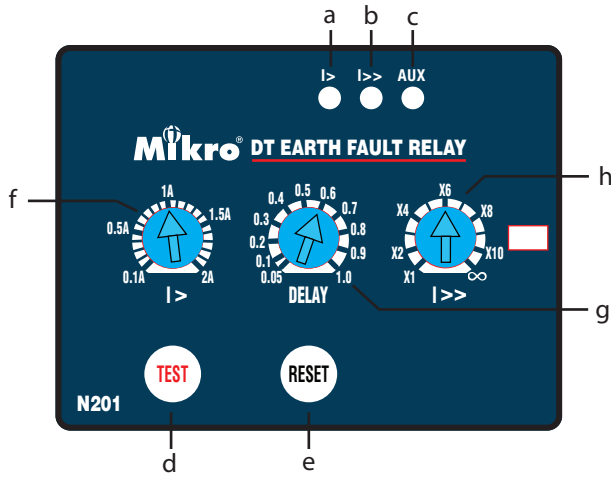


N201 DT Earth-Fault Relay User's Guide



- a - Low-set start/trip status indicator
- b - High-set start/trip status indicator
- c - Auxiliary power supply indicator
- d - Test button
- e - Trip reset button
- f - Earth-fault low-set adjustment
- g - Delay time adjustment
- h - Earth-fault high-set adjustment

TECHNICAL DATA

1. Current and Time Adjustments

Earth-fault Low-set Current (I>) Adjustment

- This adjustment is for setting the minimum earth-fault current for tripping. If the measured current exceeds this threshold value, tripping start. After a prefixed delay time determined by the DELAY adjustment, the trip contacts will be activated.
- The setting range is between 0.1A to 2A

Earth-fault High-set Current (I>>) Adjustment

- This adjustment is for setting the instantaneous tripping current due to an earth-fault.
- The setting range is from 1x to 10x of the earth-fault low-set setting value.
 $I>> = a \times I>$ (a = 1 to 10)
- This high-set feature can be disabled by setting the tripping current to infinity (∞).

Time Delay (DELAY) Adjustment

- The time delay setting is for setting the delay time from the starting of the earth-fault low-set tripping to actual tripping of the relay contact.
- The setting range is between 0.05 sec to 1.0 sec.

2. Light Indicators

The light indicators display the status of the system.

Indicator			Status
AUX	I>	I>>	
Off	Off	Off	No auxiliary power supply.
On	Off	Off	System normal mode. No tripping.
On	Blink	Off	Earth-fault low-set start.
On	On	Off	Earth-fault low-set tripped.
On	Off	Blink	Earth-fault high-set start.
On	Off	On	Earth-fault high-set tripped.

3. Push Buttons

Reset Button

- The reset button is for resetting the light indicators (I> or I>>) after an earth-fault tripping has occurred.
- To reset, press the reset button once.

Test Button

- Test button is for checking the relay operation.
- Press and hold the test button, I> and I>> LEDs start blinking then LEDs turn On and relay contacts will be activated after 3s.

4. Trip Contacts

There are two set of tripping contacts namely, R1 and R2.

R1,R2 - Manual Reset Type

- These contacts are activated during an earth-fault trip. The contacts remain activated regardless of the removal of fault current. This relay can only be reset by pressing the "RESET" button.

5. Electrical Specification

Auxiliary Supply

N201-240AD..... 85 ~ 265 VAC or 110 ~ 370 VDC
 Supply frequency..... 50Hz or 60Hz
 VA rating..... 3 VA typical

Trip Contact

Rated Voltage..... 250 VAC
 Continuous carry..... 5A (cos φ = 1.0)
 Expected electrical life..... 100,000 operations
 Expected mechanical life..... 5 million operations

Setting Ranges

Low-set ($I_{>}$)..... 0.1A to 2.0A (2% to 40%)
 Low-set delay time (DELAY)..... 0.05 sec to 1.0 sec
 High-set ($I_{>>}$)..... $I_{>}$ to 10x $I_{>}$ or disable
 High-set delay time ($t_{>>}$)..... Instantaneous

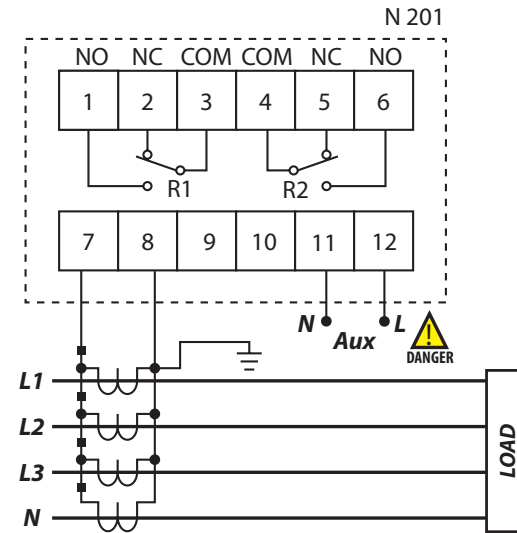
Indicators

Auxiliary supply..... Green LED indicator
 Pick-up..... Red LED indicator
 Trip..... Red LED indicator

6. Mechanical

Mounting..... Panel mounting
 Front panel..... 72x72 mm
 Approximate weight..... 0.6 kg

7. Connection Diagram



8. Case Dimensions

