



NX234A

Features

- Microprocessor based numerical relay
- Current measurement based on fundamental frequency
- Three-phase, low-set overcurrent
- Three-phase, high-set overcurrent
- Local display of measured and set values
- Definite time for low-set and high-set
- Non-volatile fault value recording
- Programmable relay outputs
- Complies with IEC 60255 standard
- ANSI Code : 50P, 51P

Technical Data

RATINGS

Rated current (I _n)	: 5 A
Rated frequency	: 50 or 60 Hz
Burden	: < 0.3 VA at I _n
Thermal withstand	: 4 x I _n continuous

AUXILIARY SUPPLY

Model NX234A-240A (6)	: 198 ~ 265 V AC
Model NX234A-110A (6)	: 94 ~ 127 V AC
Supply frequency	: 50 or 60 Hz
VA rating	: 3 VA typical

SETTING RANGES

Low-set (I >)	: 0.5 A to 6.0 A, step 0.05 A / 10% to 120%, step 1%
Low-set definite time (t >)	: 0.05 to 99 sec, step 0.01 (0.05 to 1.0) / 0.1 (1.0 to 99)
High-set (I >>)	: 0.5 A to 99.9 A or disable, step 0.10 A / 10% to 1998%, step 2%
High-set delay time (t >>)	: 0.05 sec to 2.5 sec, step 0.01

ACCURACY

Protection thresholds	: ± 5%
Time delay	: ± 5% with a minimum of 50 ms

OUTPUT CONTACTS (R1 & R2)

Rated voltage	: 250V AC / DC
Contact rating	: 5 A
Expected electrical life	: 100,000 operations at rated current
Expected mechanical life	: 5 x 10 ⁶ operations

INDICATORS

Auxiliary supply	: Green indicator
Pick-up	: Red indicator
Trip	: 7-segment display and Red indicators

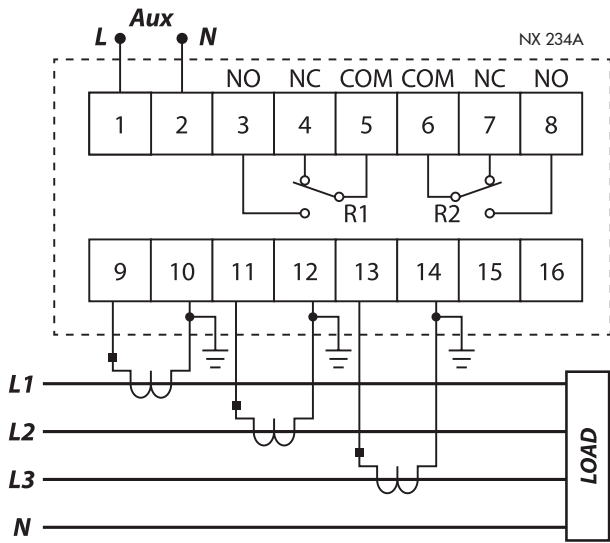
ENVIRONMENTAL CONDITIONS

Temperature	: -5°C to +55°C
Humidity	: 56 days at 93% RH and 40°C non-condensing

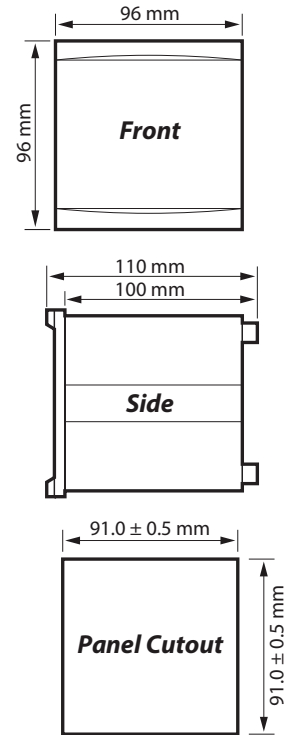
MECHANICAL

Mounting	: Panel mounting
Dimension (mm)	: 96(w) x 96(h) x 110(d)
Enclosure protection	: IP54 at the panel
Approximate weight	: 0.8 kg

Typical Application Diagram



Case Dimensions



Ordering Information

MODEL	DESCRIPTION
NX234A - 240A	For 50 Hz system, auxiliary supply 198 ~ 265 V AC
NX234A - 110A	For 50 Hz system, auxiliary supply 94 ~ 127 V AC
NX234A - 240A6	For 60 Hz system, auxiliary supply 198 ~ 265 V AC
NX234A - 110A6	For 60 Hz system, auxiliary supply 94 ~ 127 V AC