



AN112 120 128

Programmable Alarm Annunciator

The AN112/120 series Alarm Annunciator provides ideal solution for all your alarm system management and requirement. It comes with either 12, 20 or 28 windows, and due to the use of microprocessor-based design, the alarm annunciator is highly flexible in terms of functionality and programmability, suitable for all application and industries.

Tests And Standards

Electrostatic discharge IEC61000-4-2, Class III, air discharge	8 KV
Electrostatic discharge IEC61000-4-2, Class III, contact discharge	6 KV
Electrical fast transient IEC61000-4-4	4 KV, 5/50ns
Surge immunity IEC61000-4-5	4 KV, L to E
Enclosure protection when panel mounted	Front: IP41
 Enclosure: IP30

Features

- 12, 20 or 28 windows. Replaceable super-bright LED modules, with choice of amber or red illumination
- 11 Alarm Sequences as per ISA-18.1 standard
- Each channel/window fully field programmable, either from front panel built-in pushbutton or using PC
- Option of either RS232 or RS485 MODBUS-RTU communication. Comes with user-friendly configuration software.
- Repeat relay for each window as well as numerous configurable multifunction output relays for connection to external equipment to form alarm management system
- Sleep or unattended mode feature is available, for stations not permanently manned
- Auto-silence and auto-acknowledge features, with delay settable from 1 – 255 s
- Other amount of windows available upon request.

Technical Data

WINDOW

Window Dimension : 50 x 30 mm.
 Type: White translucent lens.
 Colours: Red, Amber. Coloured by field replaceable LED module.
 Windows Flash
 Fast: 1.4 Hz (0.4s on, 0.4s off),
 Slow: 0.45 Hz (1.1s on, 1.1s off),
 Intermittent: (0.4s on, 1.8s off)

ALARM SEQUENCES

M, A, R, R-12, F1A, F1M, F2A, F2M, F3A, F3M, Follower

AUXILIARY POWER INPUT

Fuse protected.
 AN1xx-30 : 24-36 V DC or 18-27 V AC.
 AN1xx-110 : 88-132 V DC or 64-95 V AC.
 Power consumption: AN112: 6 W, AN120: 8 W, AN128: 10W

ALARM CONTACT INPUTS

Opto-isolated inputs
 AN1xx-30 : 24-36 V DC.
 AN1xx-110 : 88-132 V DC.
 Input current : 3 mA typical

OUTPUT CONTACTS

Repeat relays : Potential free for each alarm point.
 5 A at 250 V AC, 3 A at 30 V DC. Resistive load.
 AUX1-AUX3, RBACK, SSP : 5 A at 250 V AC, 5 A at 30 V DC. Resistive load.

TERMINALS

Wire size : 28-14 AWG. (0.08mm² to 2.5mm²)
 Removable screw type terminal block

COMMUNICATION

Hardware interface: AN1xx - xx - x - A: RS232
 AN1xx - xx - x - B : Isolated RS485
 Protocol : Modbus - RTU
 Baud rate : 300 to 57600

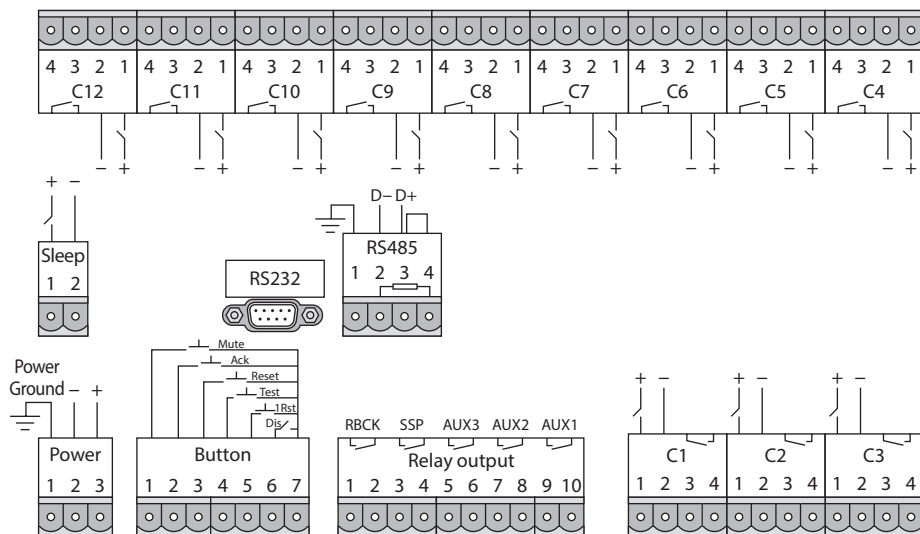
ENVIRONMENT CONDITIONS

Operation temperature: -20 to 60°C
 Storage temperature : -20 to 80°C
 Humidity : 0 - 95% RH, non condensing

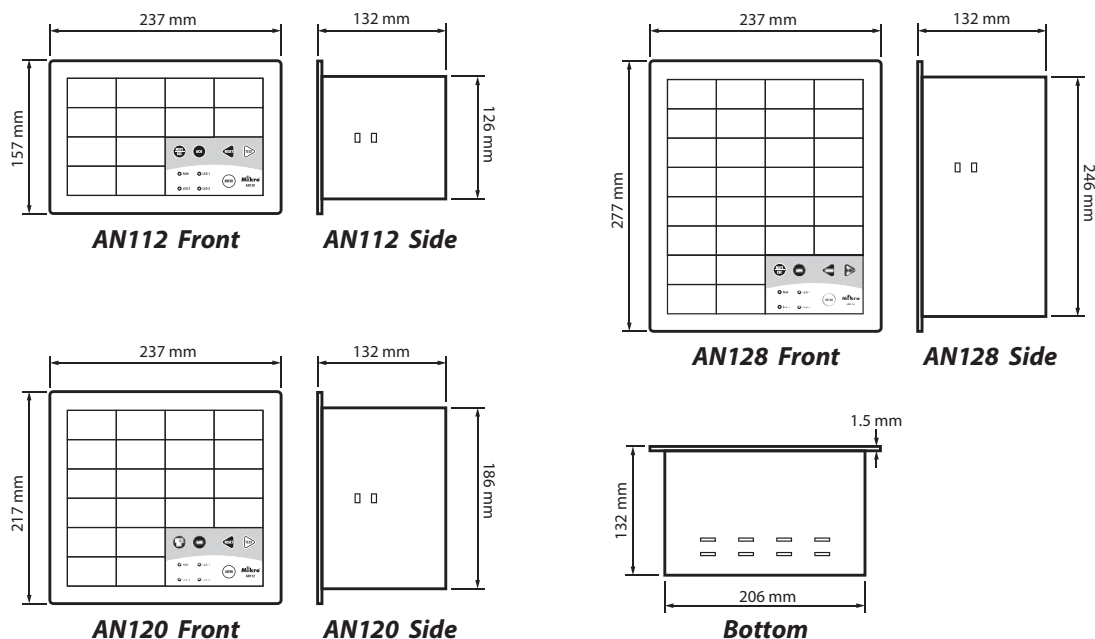
MECHANICAL

Mounting : Panel Mounting
 Approximate weight : AN 112 : 2.4 kg
 AN 120 : 3.1 kg
 AN 128 : 3.5 kg

Typical Connection Diagram



Case Dimensions



Ordering Information

Order code:

AN1 - - -

- A:** RS 232 communication
- B:** RS 485 communication
- 0:** without repeat relays
- 1:** with repeat relays
- Power Supply: **30, 110 V DC**
- Number of Windows: **12, 20, 28**

For example: 12 windows, 30 V DC, with repeat relays, RS232 communication:

AN112-30-1-A