



MX100 50

Features

- Electronic monitoring relay
- Phase sequence monitoring*
- Phase failure monitoring
- Plug-in type module
- Indicators for power and alarm status
- ANSI Code : 47

Product Description

This phase sequence and phase failure relay is designed for application where the 3-phase supply needs to be continuously monitored for proper sequencing and phase loss. Commonly used to protect a 3-phase motor.

Technical Data

POWER SUPPLY INPUT

Phase-to-phase voltage : 230 V AC $\pm 20\%$
 : 400 V AC $\pm 20\%$
 Frequency range : 45 to 65 Hz
 Max power consumption: 3 VA
 Input connections : Phase L1 to pin 5
 : Phase L2 to pin 6
 : Phase L3 to pin 7
 : Neutral (optional) to pin 11

OUTPUT CONTACTS

Rated voltage : 250 V AC
 Contact rating : 5 A
 Expected electrical life : 100,000 operations at rated current
 Expected mechanical life : 5×10^6 operations

INDICATORS

Power supply ON : Green indicator
 Output ON : Red indicator

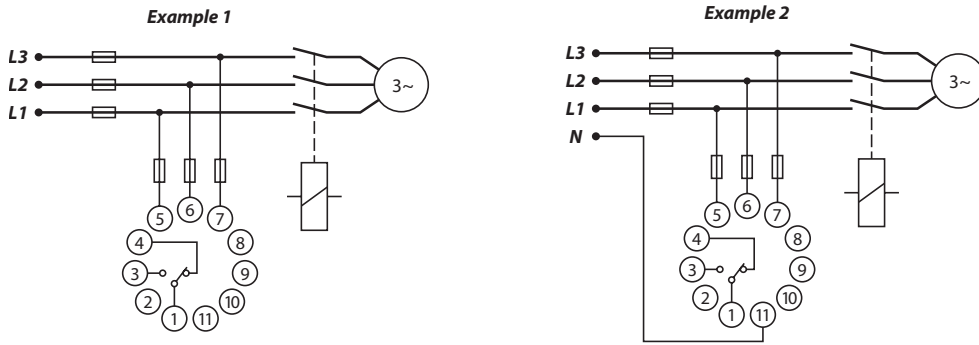
ENVIRONMENTAL CONDITIONS

Temperature : -5°C to $+55^{\circ}\text{C}$
 Humidity : 56 days at 93% RH and 40°C non-condensing

MECHANICAL

Mounting : Circular 11-pin plug-in socket
 Dimension (mm) : 35(w) x 80(h) x 72.5(d)
 Approximate weight : 0.3 kg

Wiring Diagram

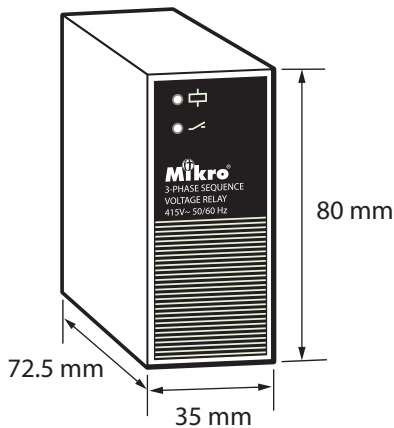


Function Table

Condition	Pin 5	Pin 6	Pin 7	Relay	Remark
1	L1	L2	L3	ON	System healthy
2	Loss	L2	L3	OFF	Phase failure
3	L1	Loss	L3	OFF	Phase failure
4	L1	L2	Loss	OFF	Phase failure
5	L2	L1	L3	OFF	Sequence fault*
6	L3	L2	L1	OFF	Sequence fault*

* Applicable to MX100 model only

Case Dimensions



Ordering Information

MODEL	DESCRIPTION
MX100 - 230	Auxiliary voltage 184~276 V AC
MX100 - 400	Auxiliary voltage 320~480 V AC
MX50 - 230	Auxiliary voltage 184~276 V AC
MX50 - 400	Auxiliary voltage 320~480 V AC