



MX210

Features

- Numerical voltage protection relay
- Undervoltage
- Overvoltage
- Phase loss
- Phase sequence
- 3-Phase/Single-phase
- ANSI Code: 27, 47, 59

Product Description

MX210 is voltage relay that combines overvoltage, undervoltage, phase loss, phase sequence and delay start functions.

MX210 can be programmed by user to set nominal voltage as well as set into 3-phase or Single-phase mode.

Technical Data

POWER SUPPLY INPUT

3-Phase System

Phase-to-phase voltage : 380 V (-25%) to 415 V (+20%) AC

Single Phase

Phase-to-neutral voltage : 220 V (-25%) to 240 V (+20%) AC

Frequency range : 45 to 65 Hz
Max. power consumption : 3 VA maximum

OUTPUT CONTACTS

Rated voltage : 250 V AC
Contact rating : 5 A
Expected electrical life : 100,000 operations at rated current
Expected mechanical life : 5×10^6 operations

SETTING RANGES

Undervoltage : 78% - 98%
Overvoltage : 102% - 122%
Delay time : 0.1 - 10s
Normal voltage : 380, 400, 415 Vp-p, 220, 230, 240, Vp-n

ACCURACY

Protection thresholds : $\pm 3\%$
Hysteresis : 1%
Delay time : 0-0.5s, $\pm 15\%$, 40ms minimum
Measurements : 0.5s and above, $\pm 3\%$

INDICATORS

Power supply ON : Green indicator
Output ON : Green indicator
Undervoltage : Red indicator
Overvoltage : Red indicator
Phase error : Red indicator

ENVIRONMENTAL CONDITIONS

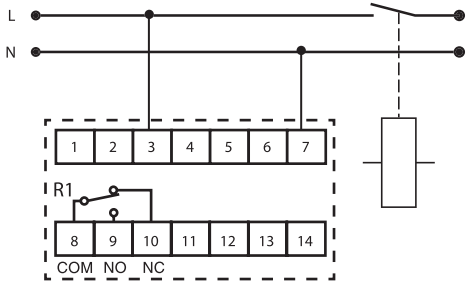
Temperature : -10°C to 55°C
Humidity : 5% to 95%, non-condensing

MECHANICAL

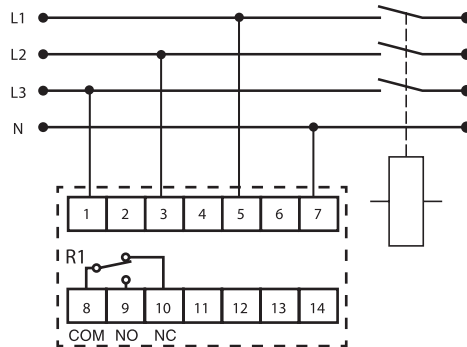
Mounting : DIN rail
Dimension (mm) : 71(w) x 85(h) x 70(d)
Approximate weight : 0.3 kg

Wiring Diagram

Single-Phase System

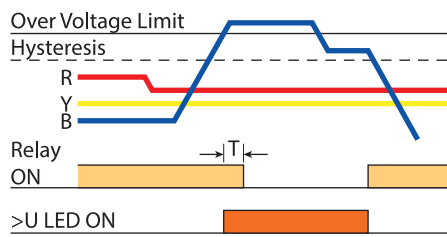


3-Phase System

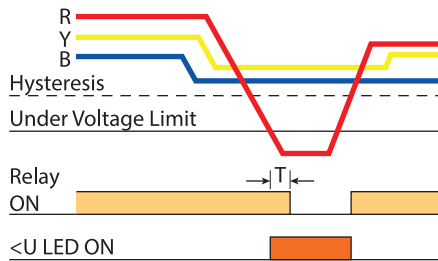


Operations Diagram

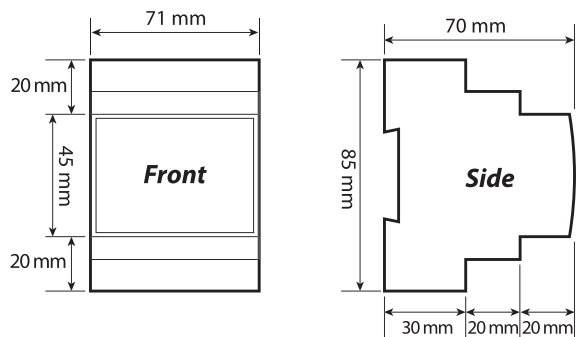
i) Over Voltage Function



ii) Under Voltage Function



Case Dimensions



Ordering Information

MODEL	DESCRIPTION
MX210 - 415V	3-Phase 380-415V AC Single-Phase 220-240V AC 45-65Hz