



# RPR415A

## Features

- Reverse power monitoring
- 3-phase, 3 or 4-wire system
- Adjustable reverse power setting
- Adjustable tripping time delay
- Indicators for auxiliary power, trip delay and trip status
- Test button
- ANSI Code: 32

## Product Description

RPR 415A relay is a directionally controlled timing relay used to protect AC generators from motor-ing. When such condition occurs and the reverse current exceeded the customer adjustable preset limit for a predetermined delay time, the trip relay operates to disconnect the circuit.

## Technical Data

### INPUT

Rated Phase-neutral voltage : 220V to 240V AC  
 Rated Phase-phase voltage : 380V to 415V AC  
 Rated frequency : 50 or 60 Hz  
 Rated current (In) : 5A  
 Burden : < 0.3 VA at In  
 Thermal withstand : 1.2 x Un , 2 x In continuous  
 : 1.2 x Un , 10 x In for 3 sec  
 Power consumption : 3 VA maximum

### OUTPUT CONTACTS

Rated voltage : 250 V AC/DC  
 Contact rating : 5 A  
 Expected electrical life : 100,000 operations  
 at rated current  
 Expected mechanical life : 5 x 10<sup>6</sup> operations

### SETTING RANGES

Range : 2% to 20% reverse current  
 with 1% Hysteresis  
 Time delay : 0 sec to 20 sec  
 3-Phase 4-wire (star) or 3-Phase 3-wire (delta)

### ACCURACY

Protection thresholds Hysteresis : ± 3%  
 Delay time : 1%  
 : 0-0.5s, ± 15%,  
 40ms minimum.  
 Measurements : 0.5s and above, ± 3% : ± 3%

### INDICATORS

Auxiliary supply : Green indicator  
 Delay : Red indicator  
 Trip : Red indicator

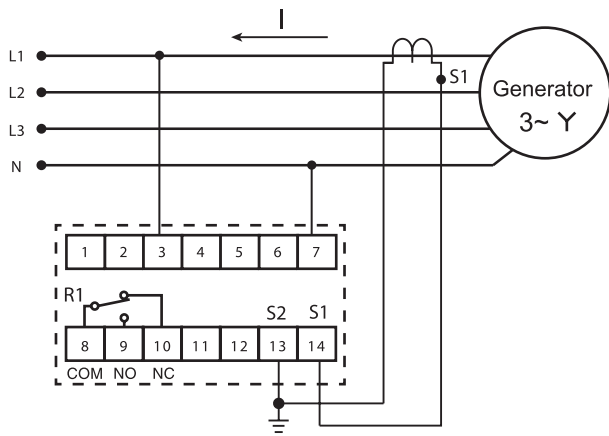
### ENVIRONMENTAL CONDITIONS

Temperature : -10°C to 55°C  
 Humidity : 5% to 95%,  
 non-condensing

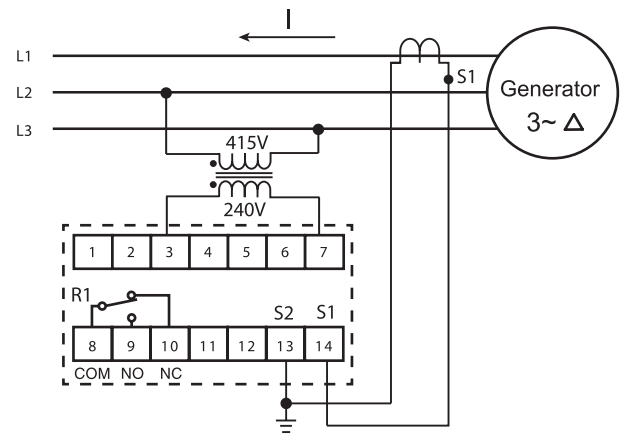
### MECHANICAL

Mounting : DIN rail  
 Dimension (mm) : 71(w) x 85(h) x 70(d)  
 Approximate weight : 0.3 kg

### Typical Application Diagram

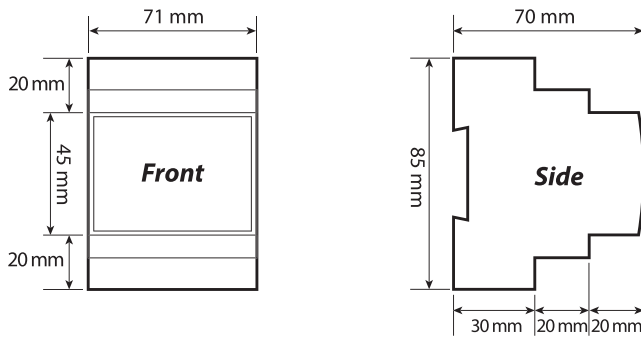


3-Phase 4-wire / single-phase system



3-Phase 3-wire system

### Case Dimensions



### Ordering Information

MODEL	DESCRIPTION
RPR415A	380-415Vpp AC / 220-240Vpn AC, 45-65Hz